

KK-300A / LB / W | Animal Bench Scale



TOTAL WEIGHING SOLUTION™



...Clearly a Better Value

KK-300A

- Accurate to Within 1/2 lb
- Dual Slide-Out Gates Included
- Stainless Steel Junction Box
- Stainless Steel Load Cells
- Up to 5,000 lb Capacity



Certificate of Conformance No. 13-083



Indicator sold separately

Warranty - Two Years

NEW! LB SERIES LOAD BARS FARM WEIGHING APPLICATIONS

KK-300LB



Versatile Weighing:
Alleyway Platforms,
Cages, Squeeze Chutes,
Bins, and Hoppers



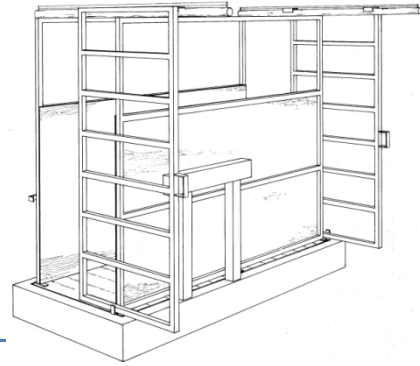
KK-300W





Model **Capacity** **Size** **Loadcell**

<u>KK-300 A</u>	<u>2 Ton x 0.5 kg</u>	<u>1.1 x 2 meter</u>	<u>4 Pcs</u>
<u>KK-300 LB</u>	<u>2 Ton x 1 Kg</u>	<u>100 x 1000 mm</u>	<u>4 Pcs</u>
<u>KK-300 W</u>	<u>100 kg x 0.1 kg</u>	<u>100 x 100 cm</u>	<u>1 Pcs</u>

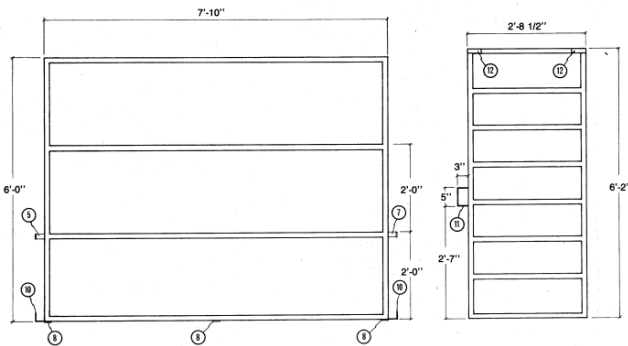
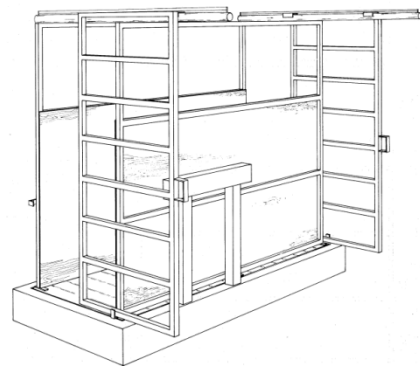
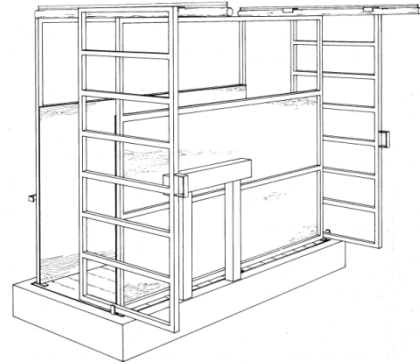


- Accurate to Within 1/2 lb
- Dual Slide-Out Gates Included
- Stainless Steel Junction Box
- Stainless Steel Load Cells
- Up to 5,000 lb Capacity



Certificate of Conformance
No. 13-083

Indicator sold separately



Digital Indicator



Panasonic Kenko Electric. Co.Ltd

Specifications

Analog section

Input sensitivity:	0.4mV/V to 4.0mV/V
Zero adj. range:	-10% to +100% of F.S.
Load cell excitation:	12VDC
A/D conversion rate:	30 times/sec. at 1mV/V output
Temp. Coefficient:	ZERO: $\pm(0.2\text{mV} \pm 5\text{ppm of zero voltage})/^{\circ}\text{C}$ TYP SPAN: $\pm 5\text{ppm}/^{\circ}\text{C}$ TYP
Non linearity:	0.008 % of F.S. or less
Number of load cells:	Max. 8 load cells (350)
Remote sensing function	

Digital section

Type:	LCD display with color graphic bar and backlight
Display:	Segment display: 6 digits (letter height: 26 mm) Dot matrix display: 17 digits (alpha-numeric)
Display division:	1, 2, 5, and 10
Decimal point location:	00,0000 to 000000
Indicator marks:	Zero, Net, Gross, Stable, Pcs, oz, dwt, lb, g, kg, Battery low
Memory:	1000 items (or 2000 items)
Programmable data per item:	Item code No., Item name, Item number, Tare weight, Unit weight, Inventory, Set point data 1 to 4
Printing items: (optional built-in thermal printer)	Date/time, Code No., Item name, Weight (or quantity), Total weight (or total quantity), and number of trans- actions

Connectors on Rear panel:

- Standard I/F
 - Scale interface: Amphenol 14 Pin
 - RS-232C: Din 8 Pin
 - Set point output: Mini Din 8 Pin
- *RS-232C/RS-485 board
 - RS-232C: Din 8 Pin
 - RS-485: 2 x Modular Jack (RJ45 8 pin)
- *Analogue output board
 - Analogue output: Din 5 Pin, 4-20mA or 0-5V (or 0-10V), 11 bit resolution

Note: Either one is available for use.*

General

Internal resolution:	Up to 1/1,000,000
Display resolution:	Up to 1/30,000 **1/7,500
Power source:	A/C adapter (12VDC, 1.25A) Battery (6 x D cell) or Rechargeable battery
Power consumption:	4.6W (1.1W backlight off, 6W with printer)
Operating temperature:	-10°C to 40°C **0°C to 30°C
Operating humidity:	85%RH Max. (Non-condensing)
Net weight:	3.2kg/7.0lb
Dimensions:	240(W) x 255(D) x 153(H) mm 9.45(W) x 10.03(D) x 6.02(H) inches

***subject to local regulation*

Model Variation

- DI - 80, 128KB
- DI - 80, 256KB

Options

- Built-in thermal printer unit
(Paper roll 50mm diameter, Paper width 58mm)
- *RS-232C/RS-485 board
- *Analogue output board
- Fixed stand block for DIGI Scale Platforms
- Desk top bracket
- Wall mount bracket

Note: Either one is available for use.*

Peripherals

- Bar code printer
- Bar code scanner



Panasonic Kenko Electric Co, Ltd

36 Sisenju, Okio, Osaka 234-23354 Japan

Tel. 81-32-565434667

Specifications subject to change without notice



ISO 9001
ISO 14001

JQA-QM3646
JQA-EM1220



JAB

CM009

...Clearly a Better Value

Specifications subject to change without notice