



TOTAL WEIGHING SOLUTION™

KK-30 CT | Bench Scale



KENKO®

...Clearly a Better Value

Panasonic Kenko Electric. Co.Ltd



Label Printer DLP-50



FEATURES

- Out put USB
- Connect To tower Lamp
- External Display
- Counting Resolution 0.001 / 1.000.000
- Display Resolution 1 / 30.000
- Digital Tare Substraction
- Backlight LCD



Three Types of Display



Large LCD Display



Large VFD Display



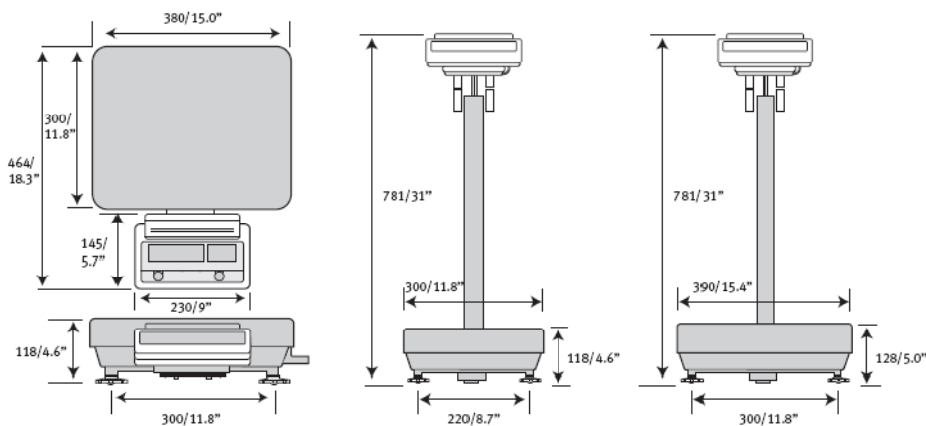
Large VFD Display with Printer

PLATFORM SCALES



Weight capacity (kg)	30	60	150	60	150	200
Min Display Gr	0.01*	0.02*	0.05*	0.02*	0.05*	0.05*
	0.005	0.01	0.02	0.01	0.02	0.02
	0.002	0.005	0.01	0.005	0.01	0.01
Weight capacity (lb)	60	150	300	150	300	400
Min. display (lb)	0.02*	0.05*	0.1*	0.05*	0.1*	0.1*
	0.01	0.02	0.05	0.02	0.05	0.05
	0.005	0.01	0.02	0.01	0.02	0.02
Weight capacity (oz)	960	2400	4800	2400	4800	6400
Min. display (oz)	0.5*	1*	2*	1*	2*	2*
	0.2	0.5	1	0.5	1	1
	0.1	0.2	0.5	0.2	0.5	0.5
No. of samples	5 (can be changed to 10, 20, 50 or 100) pieces					
Max. counts	120,000 pcs	96,000 pcs	120,000 pcs	96,000 pcs	120,000 pcs	160,000 pcs
Min. unit weight	0.25 g	0.625 g	1.25 g	0.625 g	1.25 g	1.25 g
Repeatability (Std. deviation)	0.05 kg	0.01 kg	0.02 kg	0.01 kg	0.02 kg	0.02 kg
Linearity error	0.01 kg	0.02 kg	0.05 kg	0.02 kg	0.05 kg	0.05 kg
Sensitivity drift	20 ppm / C (10 °C~ 30 °C / 50 °F~ 86 °F)					
Display	7 segment LCD display (Character height 26 mm)					
Display update	10 times per second					
Operating temp	- 10 °C~ 40 °C / 14 °F~ 104 °F, less than 85% RH (no condensation)					
Power supply	AC adapter or C size (R14P / LR14) x 4 batteries					
Battery operating	Approximately 150 hours with alkaline dry cell battery					
Weighing pan size	300 x 380 mm / 11.8 x 15.0 inches			390 x 530 mm / 15.4 x 20.9 inches		
Dimension	FG-KAM: 300(W) x 624(D) x 781(H) mm / FG-KBM: 380(W) x 464(D) x 118(H) mm			390(W) x 771(D) x 781(H) mm		
Weight (approximately)	FG-KAM: 11.2 kg / FG-KBM: 9.7 kg			16.4 kg		
Calibration weight (Factory setting)	30 kg / 60 lb	60 kg / 150 lb	150 kg / 300 lb	60 kg / 150 lb	150 kg / 300 lb	200 kg / 400 lb

*** Legal for Trade Setting**



...Clearly a Better Value



Specifications subject to change without notice



Panasonic Kenko Electric Co, Ltd
36 Sisenju, Okio, Osaka 234-23354 Japan
Tel. 81-32-565434667

Specifications subject to change without notice